

Type: 1110



Single pole switch/thermal circuit breaker (S-type TO CBE to EN 60934) with tease-free, trip-free, snap action mechanism. Designed for snap-in panel mounting utilising round hole or industry standard fuse-holder cut-out dimensions. Featuring an ergonomically styled two colour actuator with indicator band clearly showing the tripped/OFF position. Approved to CBE standard EN 60934 (IEC 60934).

Voltage rating:

- AC 250 V
- DC 28 V
- UL/CSA: DC 50 V

Current ratings:

from 0.05 A to 16 A

Number of poles:

single pole

Mounting method:

flange

Terminal design:

blade terminals

Actuation:

push button

Auxiliary contacts:

without auxiliary contacts

Water splash protection:

with water splash protection
without water splash protection

Illumination:

without illumination

Typical life:

0.05...10 A: 10,000 operations at $1 \times I_N$, inductive
12...16 A: 6,000 operations at $1 \times I_N$, inductive

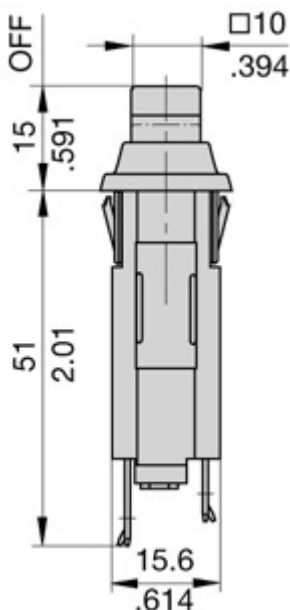
Interrupting capacity I_{cn} :

AC 250 V:
0.05...16 A: $8 \times I_N$
DC 28 V:
0.05...6 A: $10 \times I_N$
7...10 A: 200 A
12...16 A: 400 A

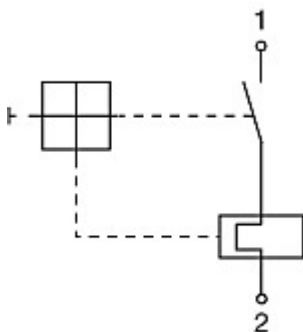
Approvals:

VDE, CSA, UL

Dimensions



Internal connection diagrams



Description

Single pole switch/thermal circuit breaker with push-push or push-to-reset actuation (S-type TO or R-type TO CBE to EN 60934) and tease-free, trip-free, snap action mechanism. Designed for snap-in panel mounting utilising round hole or industry standard fuse-holder cut-out dimensions. Featuring an ergonomically styled two colour actuator with indicator band clearly showing the tripped/OFF position. Approved to CBE standard EN 60934 (IEC 60934).

Typical applications

Motors, transformers, solenoids, extra low voltage systems, household and office machines, instrumentation, marine applications, mobile homes.

Ordering information

| Type No. | |
|---|---|
| 1110 | snap in panel mounting |
| Mounting | |
| F1 | panel thickness 0.8...1.6 mm (.031 -.063 in) |
| F2 | panel thickness 1.8...3 mm (.071-.118 in) |
| Number of poles | |
| 1 | 1-pole protected |
| Actuator style | |
| 2 | black push button/white indicator ring, standard |
| B | black push button/white indicator ring, standard push-to-reset function |
| Other indicator ring colours are available to special order | |
| Terminal design | |
| P1 | blade terminals A6.3-0.8 (QC .250) |
| Characteristic curve | |
| M1 | medium delay |
| Current ratings | |
| 0.05...16A | |
| 1110 - F1 1 2 - P1 M1 - 0.05 A = ordering example | |

Standard current ratings and typical internal resistance values

| Current rating (A) | Internal resistance (Ω) | Current rating (A) | Internal resistance (Ω) |
|--------------------|-------------------------|--------------------|-------------------------|
| 0.05 | 442 | 2 | 0.25 |
| 0.08 | 173 | 2.5 | 0.19 |
| 0.1 | 110 | 3 | 0.12 |
| 0.2 | 27.8 | 3.5 | 0.09 |
| 0.3 | 12.4 | 4 | 0.07 |
| 0.4 | 7.0 | 5 | 0.05 |
| 0.5 | 4.5 | 6 | 0.04 |
| 0.6 | 3.1 | 7 | ≤ 0.02 |
| 0.7 | 2.3 | 8 | ≤ 0.02 |
| 0.8 | 1.7 | 10 | ≤ 0.02 |
| 1 | 1.1 | 12 | ≤ 0.02 |
| 1.2 | 0.71 | 15 | ≤ 0.02 |
| 1.5 | 0.41 | 16 | ≤ 0.02 |
| 1.8 | 0.38 | | |



1110-F1..

Technical data

For further details please see chapter: Technical Information

| | | | |
|---|---|---|---------------------|
| Voltage rating | AC 250 V; DC 28 V (UL: AC 250 V; DC 50 V) | | |
| Current rating | 0.05...16 A | | |
| Typical life for S-type | AC + DC | | |
| | 0.05...10 A | 10,000 operations at 1 x I _N , inductive | |
| | 12...16 A | 6,000 operations at 1 x I _N , inductive | |
| | for actuator style B: | | |
| | 0.05...10 A | 200 operations at 2 x I _N , inductive | |
| Ambient temperature | -20...+60 °C (-4...+140 °F) | | |
| Insulation co-ordination (IEC 60664 and 60664 A) | rated impulse withstand voltage | pollution degree | |
| | 2.5 kV | 2 | |
| | reinforced insulation in operating area | | |
| Dielectric strength (IEC 60664 and 60664A) operating area | test voltage | AC 3,000 V | |
| Insulation resistance | > 100 MΩ (DC 500 V) | | |
| Interrupting capacity I _{cn} | AC 250 V: | 0.05...16 A | 8 x I _N |
| | DC 28 V: | 0.05...6 A | 10 x I _N |
| | | 7...10 A | 200 A |
| | | 12...16 A | 300 A |
| Interrupting capacity (UL 1077/EN60934 PC 1) | I _N | U _N | |
| | 0.05...6 A | AC 250 V | 1,000 A |
| | 7...16 A | AC 125 V | 1,000 A |
| | 0.05...16 A | DC 50 V | 1,000 A |
| Degree of protection (IEC 60529/DIN 40050) | operating area IP40 terminal area IP00 | | |
| Vibration | 8 g (57-500 Hz) ± 0.61 mm (10-57 Hz), to IEC 60068-2-6, test Fc, 10 frequency cycles/axis | | |
| Shock | 30 g (11 ms) to IEC 60068-2-27, test Ea | | |
| Corrosion | 96 hours at 5 % salt mist, to IEC 60068-2-11, test Ka | | |
| Humidity | 240 hours at 95 % RH to IEC 60068-2-3, test Ca | | |
| Mass | approx. 12 g | | |

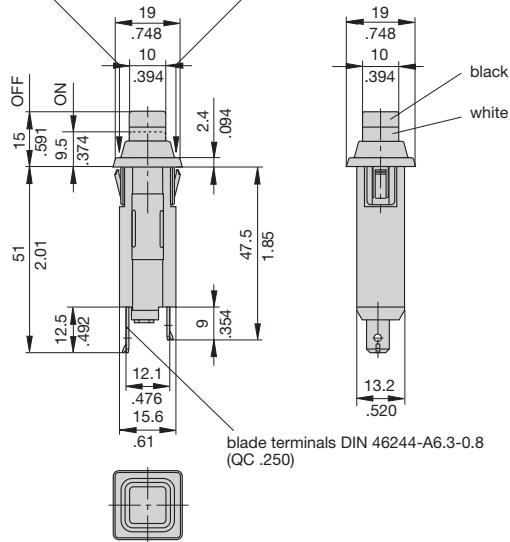
Approvals

| Authority | Voltage ratings | Current ratings |
|--------------------|---------------------------------|---------------------------------------|
| for S-type: | | |
| UL | AC 250 V AC 125 V DC 50 V | 0.05...6 A 7...16 A 0.05...16 A |
| CSA | AC 250 V; DC 50 V | 0.05...16 A |
| VDE | AC 250 V; DC 28 V | 0.05...10 A |

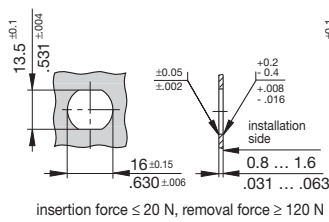
Dimensions

1110-F1.. / -F2..

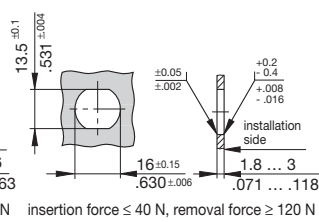
When installing the circuit breaker apply pressure on bezel only.



Panel cut out 1110-F1..-PM1-...A

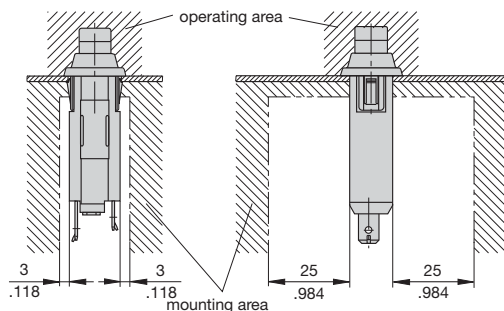


1110-F2..-PM1-...A

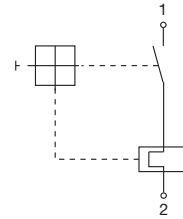


Installation drawing

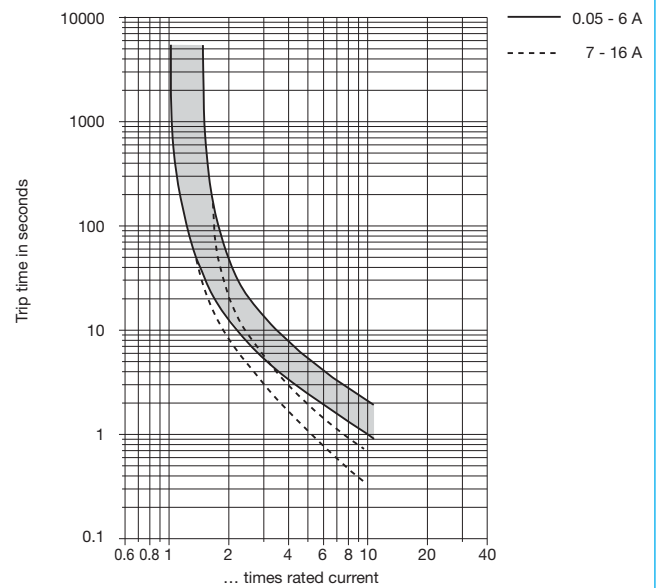
When installing the circuit breaker apply pressure on bezel only.



Internal connection diagram



Typical time/current characteristics at +23 °C/+73.4 °F



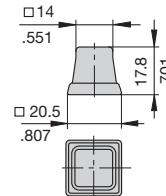
The time/current characteristic curve depends on the ambient temperature prevailing. In order to eliminate nuisance tripping, please multiply the circuit breaker current ratings by the derating factor shown below. See also section 9 – Technical information.

| | | | | | | | |
|------------------------|------|------|------|-------|------|------|------|
| Ambient temperature °F | -4 | +14 | +32 | +73.4 | +104 | +122 | +140 |
| °C | -20 | -10 | 0 | +23 | +40 | +50 | +60 |
| Derating factors | 0.76 | 0.84 | 0.92 | 1 | 1.08 | 1.16 | 1.24 |

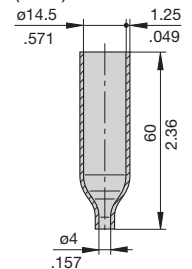
Accessories - Water splash covers (transparent)

Push button splash cover transparent Y 304 745 01 (IP64)

When using splash cover please note that the max. panel thickness is reduced by 0.5 mm/0.02 in.



Terminal shroud Y 305 602 01 (IP64)



This is a metric design and millimeter dimensions take precedence ($\frac{\text{mm}}{\text{inch}}$)

All dimensions without tolerances are for reference only. In the interest of improved design, performance and cost effectiveness the right to make changes in these specifications without notice is reserved. Product markings may not be exactly as the ordering codes. Errors and omissions excepted.